

# ATX™ FDLED Series Luminaires

## Flameproof

**ATEX/IECEX:**  
Zone 1 and 2 - 21 and 22  
⊕ II 2GD  
Ex d IIB (4725 lm version)  
Ex d IIB+H<sub>2</sub> (2400 lm version)  
Ex d IIC (400 lm version)

**ATEX/IECEX:**  
IK09 (400 and 2400 lm version)  
IK08 (4725 lm version)  
IP66/68

### Applications

- Can be installed in hazardous areas designated as Zone 1 and 2 – 21 and 22.
- For use in locations where a high degree of corrosion resistance is required.
- For indoor/outdoor use where protection against dirt, water and moisture is necessary.
- Typical applications include:
  - Oil refineries
  - Petrochemical facilities
  - Pulp and paper, mills
  - Painting, sewage and water treatment facilities
  - Warehouses
  - Underground tunnels
  - General manufacturing facilities.

### Features

- Impact resistant borosilicate glass sealed tube.
- Easy access to LED array through gray painted aluminum threaded entry cap.
- Supplied with O-ring for improved ingress protection.
- Corrosion-resistant gray painted aluminum.
- Supplied with energy efficient electronic driver on a removable gear tray.
- Supplied with external and internal ground/earth connection.
- Fixture supplied with one M20 blanking plug.
- Easy connection to wire and disconnect with plug-in terminal blocks.

### Standard Materials

- End caps and cover: aluminum.
- Glass tube: tempered borosilicate glass.
- O-ring gasket: Nitrile (NBR).
- Internal reflector: white powder coated galvanized steel (400 lm version) or aluminium (2400/4725 lm versions).
- Mounting accessories: several accessories in different material such as zinc plated steel, galvanized steel or 316 stainless steel.

### Options

- Diffused polycarbonate lens (2400/4725 lm versions only)
- Ta -50 °C (-58 °F) IP66 (without gasket)
- Ta -40 °C (-40 °F) IP66/68 (with EPDM70)

### ATEX/IECEX Certifications and Compliances

- Certification Type FDLED
  - Gas: Zone 1 and 2:
    - Conforming to ATEX 94/9/CE: ⊕ II 2 G
    - Type of Protection: Ex d IIB (4725 lm version), Ex d IIB+H<sub>2</sub> (2400 lm version), Ex d IIC (400 lm version)
    - Temperature Class: T6
  - Dust: Zone 21 and 22:
    - Conforming to ATEX 94/9/CE: ⊕ II 2 D
    - Type of Protection: Ex tb IIIC
    - Surface Temperature:
      - +75 °C (+167 °F) (400 lm version)
      - +80 °C (+176 °F) (2400 and 4725 lm version)
- Ambient Temperature: -30 °C to 60 °C (-22 °F to +140 °F)
- CE Declaration of Conformity: 50312
- ATEX Certificate: INERIS 15 ATEX 0042X
- IECEx Certificate: IECEx INE 15.0046X
- Index of Protection according EN/IEC 60529: IP66/68



4725 lm (IIB)



2400 lm (IIB+H<sub>2</sub>)



400 lm (IIC)

- Impact Resistance (shock): IK09 (400 and 2400 lm version), IK08 (4725 lm version)
- Internal Volume: > 2 dm<sup>3</sup> (122 in<sup>3</sup>) - 2 liters

LED/AREA: NEC/CFC EXPLOSIONPROOF/ATEX/IECEX FLAMEPROOF

Appleton®

# ATX™ FDLED Series Luminaires

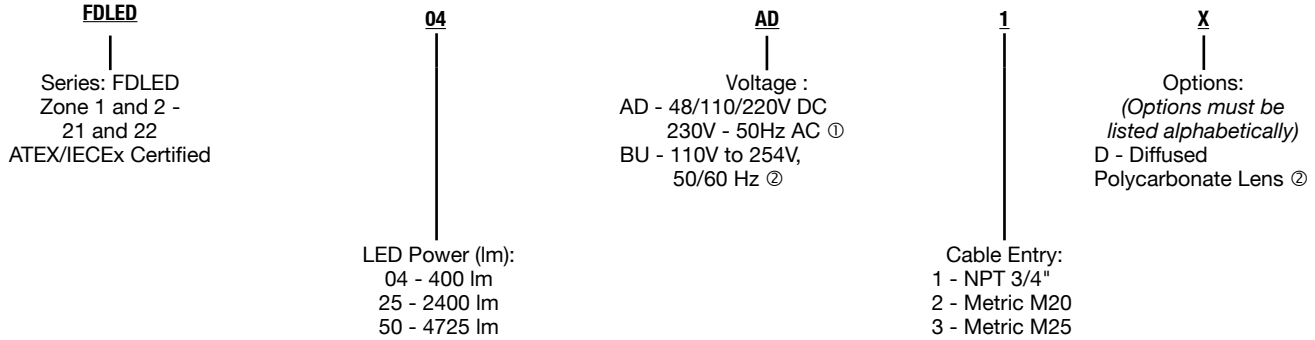
## Flameproof

ATEX/IECEEx:  
 Zone 1 and 2 - 21 and 22  
 IIC  
 Ex d IIB (4725 lm version)  
 Ex d IIB+H<sub>2</sub> (2400 lm version)  
 Ex d IIC (400 lm version)

ATEX/IECEEx:  
 IK09 (400 and 2400 lm version)  
 IK08 (4725 lm version)  
 IP66/68

LED/AREA: NEC/CEC EXPLOSIONPROOF/ATEX/IECEEx FLAMEPROOF

### Catalog Numbering Guide – FD LED Series Luminaires



### Technical Data

Lumen Output	Type	P	I <sub>e</sub>	Gas group	Ambient Temperature °C (°F)	Class of Temperature	Surface Temperature °C (°F)
400 lm	LED	6 W	0.03 A	IIC	-30 °C to + 60°C (-22 °F to +140 °F)	T6	75 (167)
2400 lm	LED	23 W	0.21 A	IIB+H <sub>2</sub>	-30 °C to + 60°C (-22 °F to +140 °F)	T6	80 (176)
4725 lm	LED	46 W	0.42 A	IIB	-30 °C to + 60°C (-22 °F to +140 °F)	T6	80 (176)

Led Power (lm)	Voltage	Cable Entry	Weight kg (lb)	Volume dm <sup>3</sup> (in <sup>3</sup> )	Catalog Number
400 lm	48/110/220V DC 230V - 50Hz AC	M20	7.8 (17.2)	36.0 (2196.9)	<b>FDLED04AD2</b>
2400 lm	110V to 254V, 50/60 Hz	M20	8.1 (17.9)	37.1 (2264.0)	<b>FDLED25BU2</b>
4725 lm	110V to 254V, 50/60 Hz	M20	9.0 (19.8)	58.0 (3539.4)	<b>FDLED50BU2</b>

① Only 400 lm version  
 ② Only 2400 and 4725 lm version


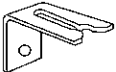

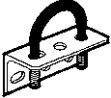
# ATX™ FDLED Series Luminaires

## Flameproof

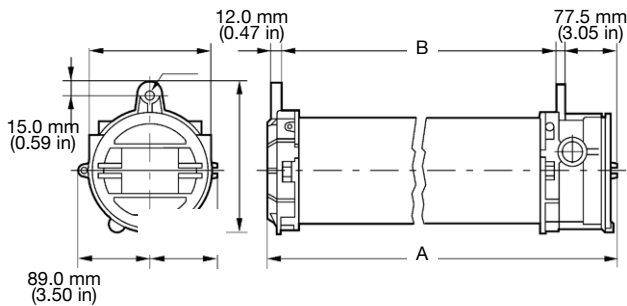
ATEX/IECEX:  
 Zone 1 and 2 - 21 and 22  
 II2GD  
 Ex d IIB (4725 lm version)  
 Ex d IIB+H<sub>2</sub> (2400 lm version)  
 Ex d IIC (400 lm version)

ATEX/IECEX:  
 IK09 (400 and 2400 lm version)  
 IK08 (4725 lm version)  
 IP66/68

### Accessories and Replacement Parts

	Description	Catalog Number
<b>Protective Guard – Zinc Plated Steel</b>		
	Model 0.3 (for 400 lm)	<b>FDPG1Z</b>
	Model 0.4 (for 2400 lm)	<b>FDPG5Z</b>
	Model 0.6 (for 4725 lm)	<b>FDPG2Z</b>
<b>Fixing Brackets for Ease of Surface Installation – Set of Two</b>		
	Zinc plated steel	<b>FDFBZ</b>
	316 stainless steel	<b>FDFBS</b>
<b>Surface Mounting Brackets – Set of Two</b>		
	Zinc plated steel	<b>FDSBZ</b>
	316 stainless steel	<b>FDSBS</b>
<b>Half Clamp Brackets for Pole Mounting – Set of Two</b>		
	For 42 mm (1.65 in) to 49 mm (1.93 in) pole (1-1/4 to 1-1/2" tube)	
	Zinc plated steel	<b>FDHC49Z</b>
	316 stainless steel	<b>FDHC49S</b>
	For 60 mm (2.36 in) pole (2" tube)	
	Zinc plated steel	<b>FDHC60Z</b>
	316 stainless steel	<b>FDHC60S</b>
<b>Fall Prevention Kit</b>		
	1.20 meter (3.93 feet) stainless steel chain	<b>FDSCS</b>

### Dimensions in Millimeters (Inches)



Model	A	B
0.3 (400 lm)	430 (16.93)	335 (13.19)
0.4 (2400 lm)	470 (18.50)	375 (14.76)
0.6 (4725 lm)	745 (29.33)	650 (25.59)

LED/AREA: NEC/CFC EXPLOSIONPROOF/ATEX/IECEX FLAMEPROOF

Appleton